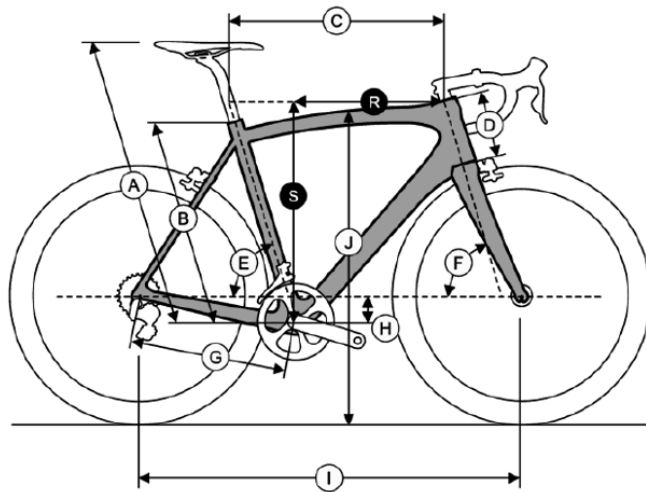


Geometry



FENIX SL (DISC)	XXXS	XXS	XS	S	M	L	XL
	(41)	(48)	(51)	(54)	(57)	(60)	(63)
A – MAX. SADDLE HEIGHT	–	745	775	805	835	865	895
B – SEAT TUBE, CENTRE-TOP	–	450	480	510	540	570	600
C – TOP TUBE, HORIZONTAL	–	515	525	545	565	585	600
D – HEAD TUBE LENGTH	–	107	127	142	172	202	227
E – SEAT TUBE ANGLE	–	75,0	74,0	73,5	73,0	72,5	72,5
F – HEAD TUBE ANGLE	–	71,8	72,0	73,0	73,5	73,5	74,0
G – CHAINSTAY LENGTH	–	410	410	410	410	413	413
H – BB DROP	–	68	68	66	66	63	63
I – WHEELBASE	–	975	975	982	992	1010	1019
J – STANDOVER HEIGHT	–	749	765	789	820	850	878
S – STACK	–	507	527	542	573	599	624
R – REACH	–	379	374	384	392	396	403

More information

We use cookies to ensure that we give you the best experience on our website. If you continue to use this site we will assume that you are happy with it.

OK